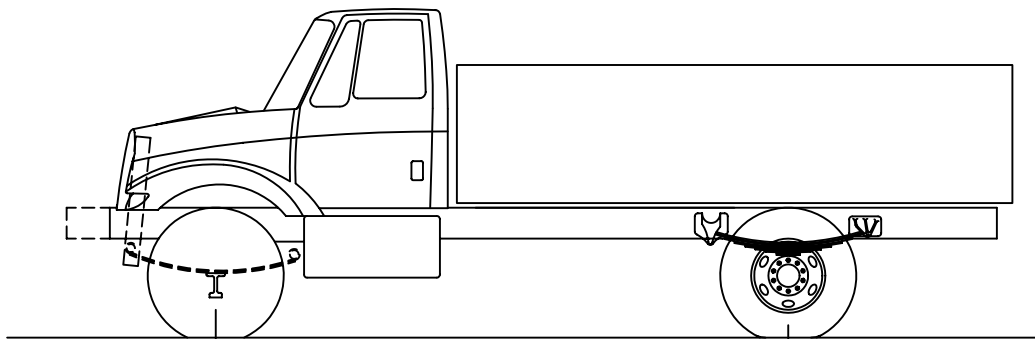


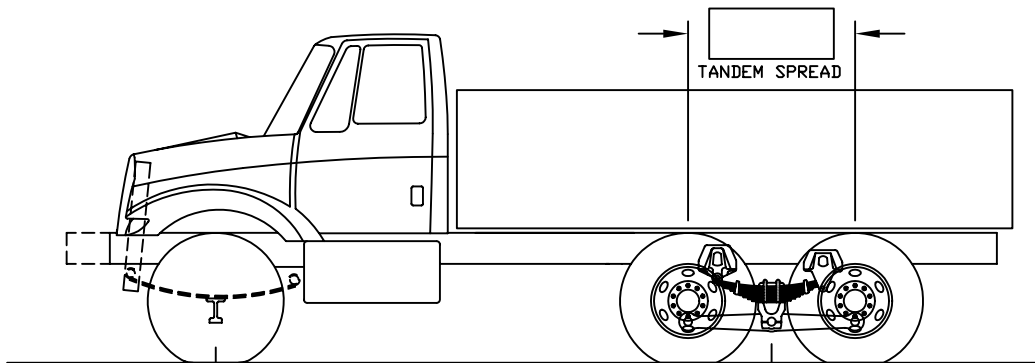
# DMF CURVATURE ANALYSIS FORM

(PAGE 1 OF 2)



SINGLE AXLE

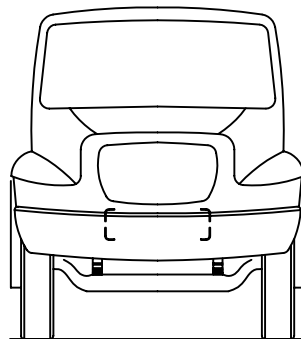
WHEELBASE,SINGLE



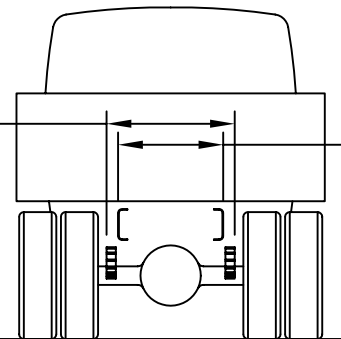
TANDEM SPREAD

TANDEM AXLE

WHEELBASE,TANDEM



SUSPENSION  
CLEARANCE \*



FRAME WIDTH \*

TREAD WIDTH  
(NOT OAW)

TRACK,INNER

DUAL SPACING

\* REQ'D FOR SUPERSINGLES

CURVATURE DRAWINGS ARE PROVIDED BY DMF AS A REFERENCE TO OUR CUSTOMERS. THIS METHOD EXAMINES THE GEOMETRY OF A VEHICLE AND RAIL IN ORDER TO DETERMINE IF THE DRIVING TIRES WILL REMAIN IN CONTACT WITH THE RAIL ON THE GIVEN CURVE. DMF MAY RECOMMEND DIFFERENT WHEELS AND TIRES IN ORDER TO ACCOMPLISH THIS. SUBSTITUTIONS ARE OFTEN POSSIBLE BUT SHOULD BE REVIEWED WITH DMF. CHANGES INCLUDING BUT NOT LIMITED TO CHASSIS, VEHICLE WHEELBASE, WHEELS AND/OR TIRES, RAILGEAR MOUNTING, TRACK CURVATURE AND TRACK DETAILS MAY INVALIDATE THIS DRAWING. IF SUCH CHANGES OCCUR, PLEASE CONTACT DMF FOR REVIEW. DMF MAKE NO CLAIMS REGARDING DERAILMENT POTENTIAL BUT WILL CAUTION CUSTOMERS WHEN CURVES APPEAR TO TIGHT FOR A GIVEN CONFIGURATION.

|                                               |            |
|-----------------------------------------------|------------|
| TOLERANCES:                                   |            |
| (UNLESS SPECIFIED)                            |            |
| COMMON SIZES: PER VALES                       |            |
| FRAC. INCH: ± 1/32"                           |            |
| FRAC. OTHER: ± 1/16"                          |            |
| .X                                            | ± .063     |
| .XX                                           | ± .030     |
| .XXX OR .XXXX                                 | ± .005     |
| DRILL SIZES:                                  | ± .015     |
| ANGULAR:                                      | ± 1°       |
| SURF FINISH:                                  | ± 25 MICRO |
| THREADS:                                      | RA AND 2B  |
| DMF: DMF GROUP SERIES C (S. 030 X 4P. 001. 2) |            |

|           |          |
|-----------|----------|
| DMF       |          |
| DRAWN BY: | APPD BY: |
| WAK       |          |

|                                                    |         |                                              |      |
|----------------------------------------------------|---------|----------------------------------------------|------|
| TITLE:                                             |         | CURVATURE/CLEARANCE<br>ANALYSIS REQUEST FORM |      |
| DIVERSIFIED METAL FABRICATORS, INC. (404) 875-1512 |         |                                              |      |
| DATE:                                              | 1/12/07 | DRAWING NUMBER:                              | REV: |
|                                                    |         | CURVEREQ                                     | #    |



# DMF CURVATURE ANALYSIS FORM

(PAGE 2 OF 2)

## CUSTOMER REQUIREMENTS

|                                        |                                          | YES/NO | COMMENTS |
|----------------------------------------|------------------------------------------|--------|----------|
| PLEASE INDICATE LIKELY CHASSIS OPTIONS | PRELIMINARY CURVE (NOT CHASSIS SPECIFIC) | Y / N  |          |
|                                        | MAX CURVE/MIN RADIUS ESTIMATE            | Y / N  |          |
|                                        | SYSTEM SPECIFIC CURVATURE ANALYSIS       | Y / N  |          |

## RAILGEAR PREFERENCES

|   |                            |       |  |
|---|----------------------------|-------|--|
|   | STANDARD                   | Y / N |  |
|   | UNDERCAB                   | Y / N |  |
|   | BEHINDCAB                  | Y / N |  |
|   | OTHER                      | Y / N |  |
| * | CHANGE TO SUPERSINGLES OK? | Y / N |  |

## APPLICATION REQUIREMENTS

|                                   |       |
|-----------------------------------|-------|
| UPFITTER                          |       |
| END-USER                          |       |
| FOR USE ON WHICH RAILROAD SYSTEM? |       |
| INTENDED USE                      |       |
| BID/TRUCK SPEC #                  |       |
| ESTIMATED TYPICAL PAYLOAD         |       |
| ESTIMATED MAX PAYLOAD             |       |
| RAIL GAGE                         |       |
| SPECIAL WHEEL PROFILE?            | Y / N |
| MIN REQUIRED CURVE RADIUS         |       |
| 3RD RAIL?                         | Y / N |
| GUARDED RAIL?                     | Y / N |
| BODY TYPE                         |       |
| MOUNTED EQUIPMENT                 |       |

## CHASSIS INFO

|                                                  |                                   | YES/NO |  |
|--------------------------------------------------|-----------------------------------|--------|--|
| PLEASE PROVIDE CHASSIS SPEC SHEET WHEN AVAILABLE | CHASSIS MAKE                      |        |  |
|                                                  | CHASSIS MODEL                     |        |  |
|                                                  | MODEL YEAR                        |        |  |
|                                                  | ENGINE&XMISSION                   |        |  |
|                                                  | EPA 2007 ?                        | Y / N  |  |
|                                                  | FRONT AXLE CODE                   |        |  |
|                                                  | REAR AXLE(S) CODE (SINGLE/TANDEM) |        |  |
|                                                  | AUXILLARY AXLES                   |        |  |
|                                                  | CAB STYLE                         |        |  |
|                                                  | VIN NUMBER                        |        |  |
|                                                  | WHEELBASE, WB                     |        |  |
|                                                  | CAB/AXLE, CA                      |        |  |
|                                                  | GVWR                              |        |  |
|                                                  | GAWR-F                            |        |  |
|                                                  | GAWR-R                            |        |  |
|                                                  | TIRE MODEL,FRONT                  |        |  |
|                                                  | TIRE SIZE,FRONT                   |        |  |
|                                                  | TIRE MODEL,REAR                   |        |  |
| TIRE SIZE,REAR                                   |                                   |        |  |
| OPTIONS                                          |                                   |        |  |